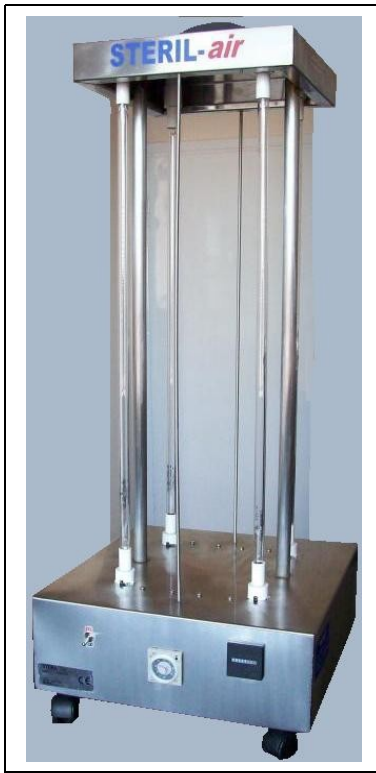


Steril Air mobil

Owner's Manual



Installation, Operation & Maintenance

GENTRA

Rihtim cd. Yuva sk. No: ¾
Beyođlu İstanbul
Turkey
Tel : +90212 244 4401
Fax: +90212 251 7136

SAFETY WARNINGS

- All personnel should be alerted to the potential hazards indicated by the product safety labeling on this unit.

SAFETY INSTRUCTIONS

1. Read and follow **ALL** safety instructions.
2. **WARNING: Avoid exposure to direct or strongly reflected germicidal ultraviolet rays. Germicidal ultraviolet rays are harmful to the eyes and skin.**
3. Intended for indoor use only.
4. Do not alter the construction or design.
5. Do not use this unit for other than its intended purpose, as described in this manual.
6. **CAUTION:** Germicidal ultraviolet rays may break down plastic, rubber or other non-metallic materials, with inadequate resistance to ultraviolet. Shield all plastic, rubber or other non-metallic parts such as; plastic drain pans, wire insulation, flex ducts, humidifiers, filters, etc. which may be exposed to direct or reflected germicidal ultraviolet rays.
9. Do not remove safety labels or devices.
10. **CAUTION: Do not operate without proper electrical ground.**
11. Do not operate the unit if the power cord and/or plug are damaged, or if any other damage to the unit is visible or suspected.
12. Utility power supplied, to the unit, **MUST** match power requirements listed on the unit label.
13. **WARNING: Always disconnect power, to the unit and unplug, before performing any service or maintenance.**
14. Read and follow all notices and warnings on the unit.
15. **SAVE THESE INSTRUCTIONS.**

PRODUCT APPLICATION

CONSTRUCTION

The Steril Air Mobil Portable Area Sanitizer consists of:

- Atlantic UV /USA Germicidal ultraviolet lamps (05-0592) - Deliver ultraviolet energy at the specific wavelength of 254 nanometers (nm). This wavelength is highly effective against microbes including: virus, bacteria, and mold spores.
- Electronic ballasts - available in 120v 50/60Hz or 230v 50/60Hz.
- Timer - A microprocessor controller provides easy programmable treatment times in minutes and hours (up to 10 hours), to suit a variety of room sizes.
- Exit Warning and Time Delay - Provides an audible warning for 3 minutes after the start button is pushed, allowing the operator time to leave the area before the disinfection cycle begins.
- Elapsed Time Indicator - A non-resettable display of the operating hours. Useful for scheduling and recording maintenance and lamp replacement.
- Power Cord - For 120VAC 50/60Hz single-phase standard household current, a NEMA 5-15, three-prong plug is provided for a properly grounded outlet. 230VAC 50/60Hz models use a CEE 7/7 (Schuko type) plug.
- Storage Cover - Protects the germicidal lamps from breakage while transporting and/or storing the sanitizer and provides a way to safely test the ultraviolet lamp operation.
- All electronics and wiring are housed in an enclosure constructed of stainless steel. Stainless steel construction provides strength, durability and will withstand most harsh environments.

PRINCIPLE OF OPERATION

The Steril Air Mobil design has been carefully conceived to provide direct germicidal ultraviolet exposure for air or surface disinfection in unoccupied space to disinfect and prevent areas and surfaces from microorganisms. The ultraviolet disinfection dosage is a function of time and the intensity, of the ultraviolet radiation to which the air and surrounding surfaces are exposed.

CAUTION: It is the user's responsibility to determine and validate the suitability of the equipment for use in system or process. No warranty or representation is made by the manufacturer with respect to suitability or performance of this equipment or to the results that may be expected from its use. Indoor Use Only – The equipment must be sheltered from exposure to the elements and extremes in temperature. Temperature range: 40°F to 100°F. The user should periodically inspect, clean as necessary and confirm the presence and good legibility of the Product safety labels. Contact the factory for replacement labels in the event that any of the labeling is missing or illegible.

LIMITATIONS

- Safety procedures should be implemented to prevent ultraviolet exposure of occupants to direct or reflected ultraviolet rays. Exposure to germicidal ultraviolet rays will result in the irritation of the eyes and reddening of the skin.
- Personal protection equipment is required when entering the irradiated space with the germicidal lamp(s) operating. Personal protection equipment includes skin and eye protection such as gloves, long sleeves with no gaps between cuff and gloves
- The American Conference of Governmental Industrial Hygienists (ACGIH) has established that the ultraviolet radiant exposure incident for unprotected eyes or skin should not exceed 0.2 microwatts per square centimeter ($\mu\text{W}/\text{cm}^2$) at 254 nanometers (nm) for an eight (8) hour period. ("2004 TLVs® and BEIs®")

UNPACKING

- Remove The Steril Air Mobil from its shipping carton.
- Atlantic Ultraviolet Corporation takes all possible precautions when packaging this unit to prevent damage. Carefully inspect the unit, power cord and plug for damage, report all damage immediately. Do not assemble or operate if there is any damage, visible or suspected.
- Germicidal lamps are packed separately, to ensure maximum protection for the lamps. Keep the lamps aside until ready for installation.
- Carefully inspect all packing materials to prevent the loss of accessories, spare parts or instructions.
- Do not discard packing materials until unit is assembled, checked and confirmed.

The Steril Air Mobil Portable Area Sanitizer includes:

- 1 - Four lamp unit with power cord - Includes a microprocessor controller with a time display and push button controls.
- 4 - Germicidal ultraviolet lamps (05-0592)
- 1 - Operating Instructions
- 2 - Laminated Warning Signs
- 1 - Storage Cover

INSTALLATION

UNIT PLACEMENT

- The Steril Air Mobil Portable Area Sanitizer does not require professional installation.
- For maximum efficiency The Steril Air Mobil should be located as centrally as possible, away from the corners of the treatment area. The Steril Air Mobil Portable Area Sanitizer is most effective when it is located in the vertical center of the room and the ultraviolet rays are unobstructed.
- Access to the room **MUST** be avoided while The Steril Air Mobil is operating.

WARNING: Always disconnect power, to The Steril Air Mobil fixture before performing any service or maintenance.

CAUTION: Ultraviolet lamps are easily damaged and may cause injury if broken. Exercise care when handling lamps.

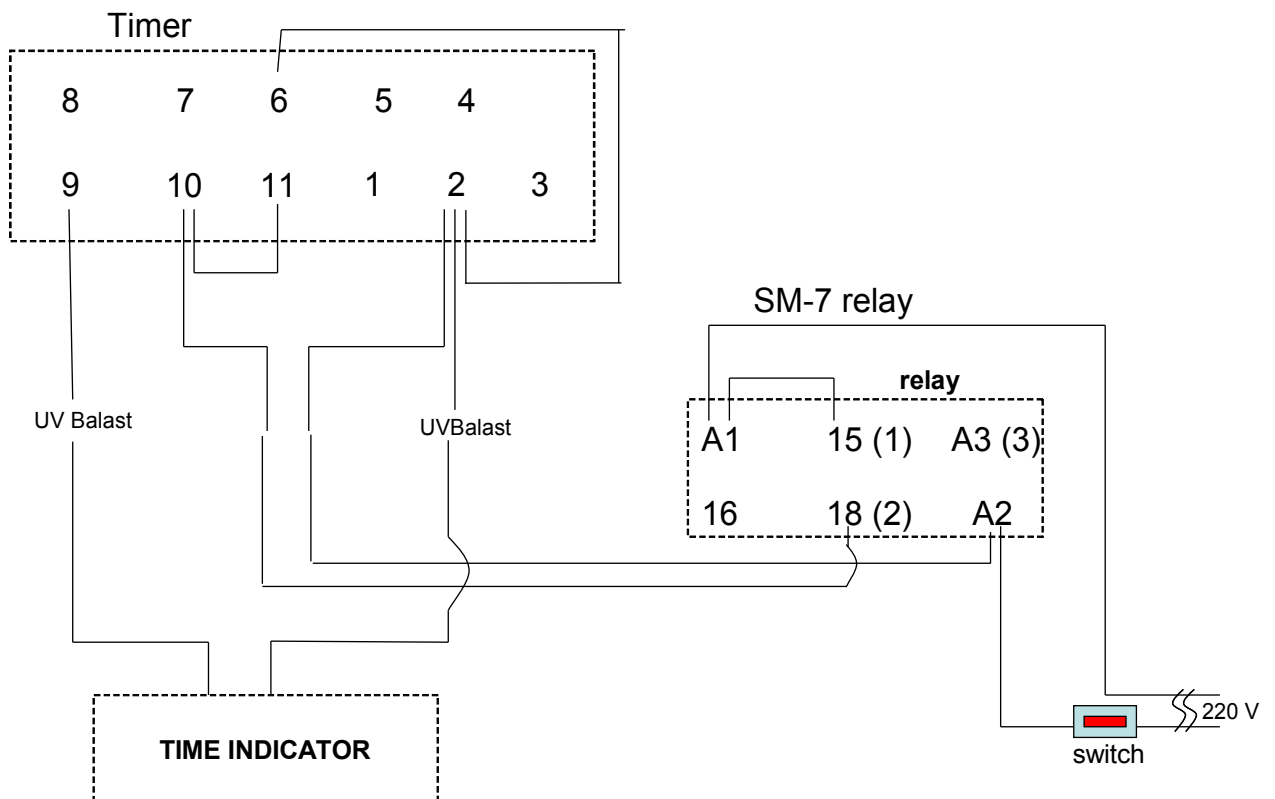
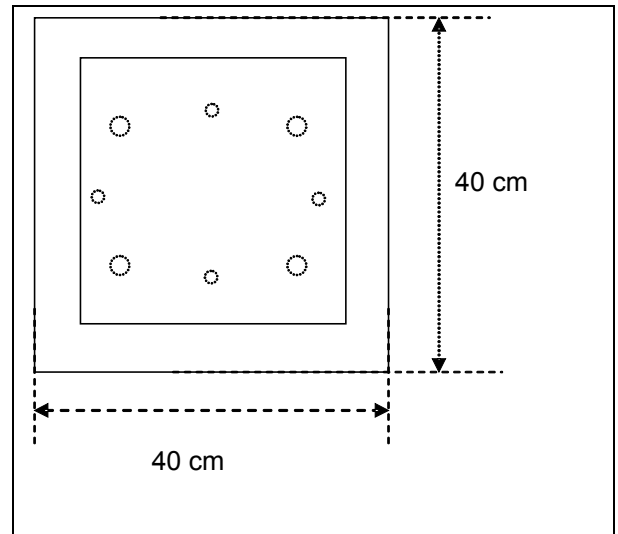
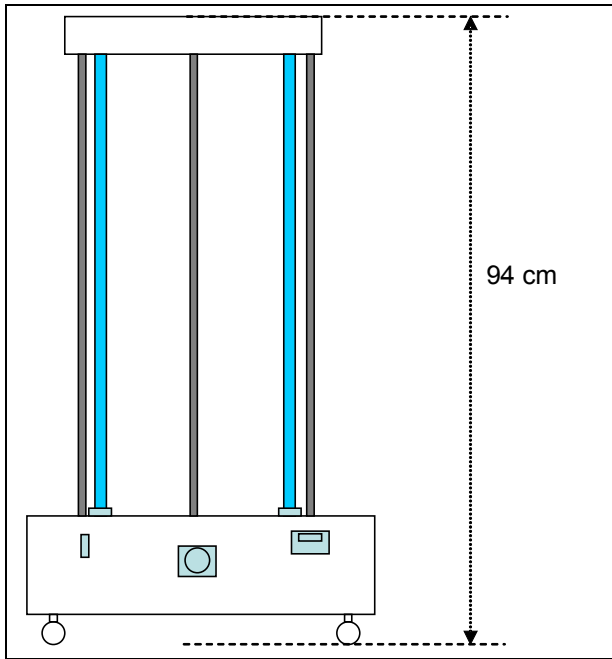
Moisten a clean, lint-free cloth with alcohol, or suitable glass cleaner and wipe the outer surface of lamp(s) to remove any visible fingerprints, smears, etc which may have accumulated during installation.

WARNING: Avoid exposure to direct or strongly reflected germicidal ultraviolet rays. Germicidal ultraviolet rays are harmful to the eyes and skin.

Use personal protection equipment, such as gloves; long sleeves with no gaps between cuffs and gloves, and ultraviolet resistant face shield, when exposed to ultraviolet rays or troubleshooting The Steril Air Mobil

Apply power to The Steril Air Mobil fixture.

Verify operation by viewing lamp(s). If the fixture is not operating properly, go to “**Troubleshooting**” section.



Power consumption : 87 W (348W Total)
 Ultraviolet Output : 28 W (112 W Total)
 Average Effective Life : 10.000 hours
 Number of lamps : 4
 Volts : 220-240V
 Amps : 1,36 A
 Hertz : 50/60 Hz

DETERMINING TREATMENT TIME

Using figure; “Recommended Treatment Time for Room Sizes”

Treatment times are based on an ultraviolet dose of 30,000 microwatt-seconds per square centimeter at 254nm.

1. Along the horizontal axis, “Longest Room Dimension (Feet)”, locate the room’s longest dimension.
2. Follow up the vertical line until it intersects the heavy black curve.
3. From the intersection follow back along the horizontal line to the vertical axis, “Timer Setting In Minutes”, note the recommended treatment time.



TREATMENT CYCLE

1. When the treatment time has been determined, set the unit on a cleared table or on the floor in the center of the room to be treated. (Treatment is most effective when the unit is in the vertical center of the room and the ultraviolet rays are unobstructed.)
2. Post the warning sign(s) outside the entrance(s) to the area being treated and notify the appropriate persons that the area should not be entered until the disinfection cycle is complete.
3. Remove the protective storage cover.
4. Set the required time. When the Treatment time is displayed correctly, the START button can be pushed.
5. Leave area quickly (within three minutes) to avoid ultraviolet exposure.
6. After the three minute exit period, the treatment time will commence.

Wear personal protection equipment; Gloves, long sleeve shirt with no gaps between cuffs and gloves and an ultraviolet blocking face shield must be worn to cover and protect eyes and all exposed skin. If it is necessary to re-enter the treatment area before the end of the treatment cycle, protective clothing, gloves and ultraviolet blocking face shield MUST be worn!

MAINTENANCE

- The Steril Air Mobil is designed to operate with a minimal amount of maintenance.
- A regular cleaning schedule of the germicidal lamp(s) should be established, and carefully maintained, based on visual inspection and experience. The time between cleanings will vary with the conditions surrounding each installation. It is recommend that the ultraviolet lamp(s) be cleaned whenever dust or visible deposits are observed on lamp(s).
- The germicidal ultraviolet lamp(s) used in the Steril Room have a manufacturer's rated average effective life of 10,000 hours. Lamps may operate longer than their rated effective life, but the reduction in ultraviolet output will make it impractical to use past the manufacturer's rated life. For maximum efficiency lamp replacement is recommended every one year of continuous operation.
- Unless lamp replacement is due to premature failure or breakage, it is recommended that all lamps, in a particular installation, be replaced at the same time.
- See “**Installing**” section for proper germicidal lamp replacement and cleaning procedure.

BREAKAGE

CAUTION: Broken Quartz is SHARP. Wear protective gloves when handling broken ultraviolet lamps.

In the event of breakage, **DO NOT use a household vacuum cleaner to pick up fragments of the lamp.** Sweep up debris into a plastic bag and dispose of properly.

DISPOSAL OF MERCURY ADDED LAMPS

Germicidal ultraviolet lamps, like standard fluorescent lamps contain small amounts of mercury. Mercury added lamps should not be placed in the trash. Dispose of properly. For further information regarding the disposal and recycling of lamps containing mercury, along with Federal and State requirements visit <http://www.lamprecycle.org>.

TROUBLESHOOTING

CAUTION: Always disconnect power to the unit, before performing any service.

Use personal protection equipment, such as gloves; long sleeves with no gaps between cuffs and gloves, and ultraviolet resistant face shield, if troubleshooting **Steril Duct** outside of duct

IMPORTANT: This unit is to be serviced **ONLY** by qualified, and appropriately licensed, personnel

Problem	Possible Cause	Corrective Action
Unit not operating.	No electrical power...	Verify that the purifier is connected to a live power source.
	Power connections, to unit, loose or disconnected...	Verify power connections to unit are fully engaged.
Germicidal lamp not operating.	Lamp(s) not installed...	Install lamp(s).
	Germicidal lamp not properly seated...	Confirm connection of lamp and lamp holder, make sure connection is tight and lamp is making full contact with lamp holder.
	Germicidal lamp faulty...	Swap suspect lamp, with lamp known to be good. If suspect lamp does not operate, replace lamp
	Ballast not functioning...	Locate ballast and replace.

CUSTOMER AND EQUIPMENT REFERENCE INFORMATION

Please use following info while ordering for spare parts.

- Customer :
- Equipment Ref. :
- UV Lamp Ref. : GHO36T5L/4 4 pcs
- UV Balast Ref. : 87W4 pcs
- Timer.....1 pcs
- Time indicator.....1 pcs
- Relay.....1 pcs